

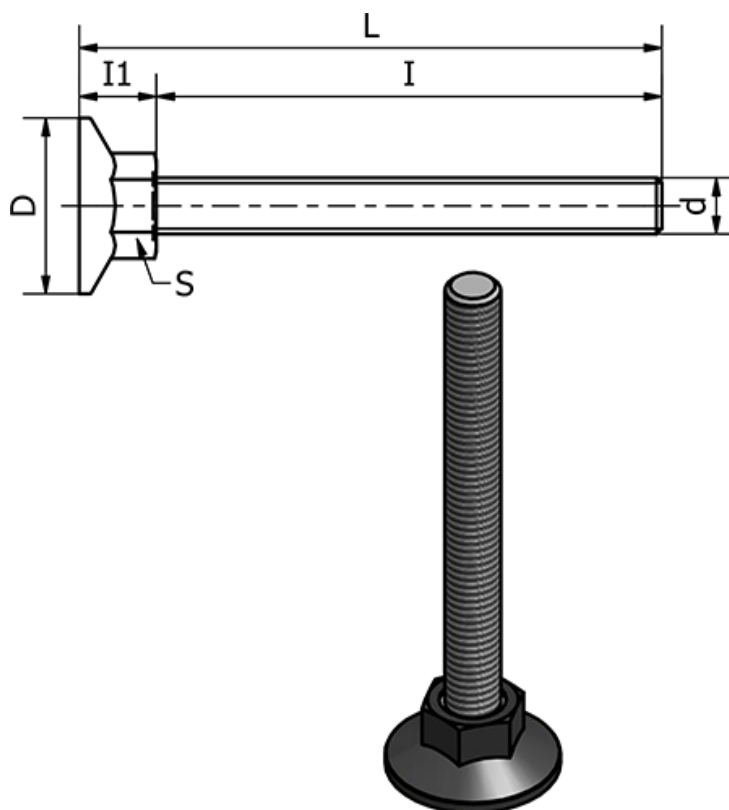
Data Sheet



Article number: 2310431050S

Description: E+G Levelling elements
LX.40-SW17-M12X102-S

Measures



| | |
|--------------------|-------------|
| d | = M12 |
| D | = 40 |
| I | = 102 |
| I1 | = 13 |
| L | = 114.5 |
| S | = 17 |
| Static load in (N) | = 5000 |
| Type | = Forzinket |

Weight (g) = -